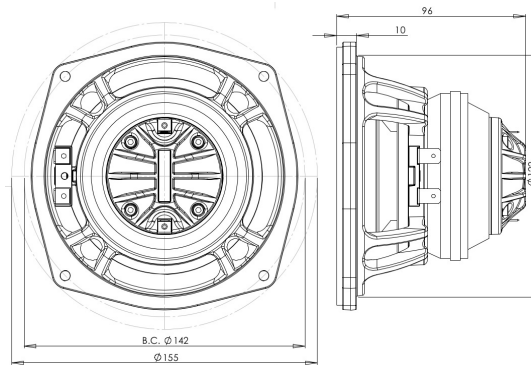


5CXN44

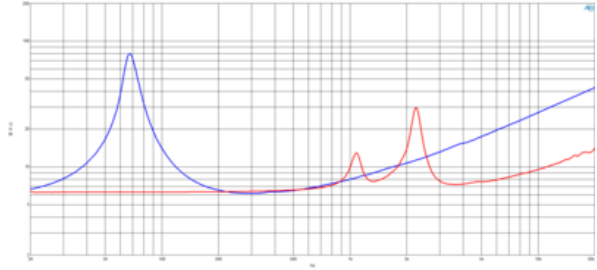
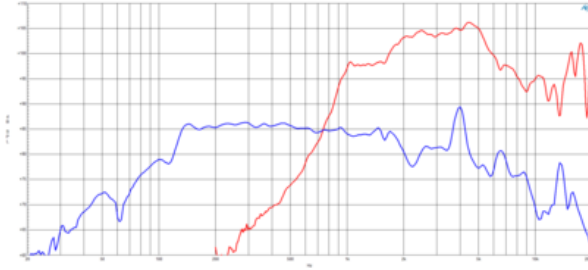
8Ω**Coaxials - 5.0 Inches**

- 300 W continuous program power capacity
- 80° nominal coverage
- 70 - 18000 Hz response
- 89.5 dB sensitivity
- Aluminum ring allows a very low distortion figure



5CXN44

Coaxials- 5.0 Inches



SPECIFICATIONS

Nominal Diameter	127 mm (5.0 in)
Nominal Impedance	8 Ω
Minimum Impedance LF	6.1 Ω
Minimum Impedance HF	7.5 Ω
Frequency Range	70 - 18000 Hz
Dispersion Angle ¹	80 °
Woofers Cone Treatment	WP Waterproof Front Side
Magnet Material	Neodymium Ring

PARAMETERS

Resonance Frequency	70 Hz
Re	4.7 Ω
Qes	0.47
Qms	9.6
Qts	0.45
Vas	4.3 dm ³ (0.15 ft ³)
Sd	95.0 cm ² (14.73 in ²)
η_0	0.31 %
Xmax	5.5 mm
Xvar	6.0 mm
Mms	15.0 g
Bl	8.1 Txm
Le	0.37 mH
EBP	148 Hz

SPECIFICATIONS LF UNIT

LF Sensitivity ²	89.5 dB
LF Nominal Power Handling ³	150 W
LF Continuous Power Handling ⁴	300 W
LF Voice Coil Diameter	44 mm (1.7 in)
LF Winding Material	Copper
LF Flux Density	0.95 T
Former Material	Kapton
Winding Depth	14.0 mm (0.55 in)
Magnetic Gap Depth	6.0 mm (0.24 in)

MOUNTING AND SHIPPING INFO

Overall Diameter	155 mm (6.1 in)
Bolt Circle Diameter	142 mm (5.6 in)
Baffle Cutout Diameter	122 mm (4.8 in)
Depth	96 mm (3.78 in)
Flange and Gasket Thickness	10 mm (0.39 in)
Net Weight	1.2 kg (2.65 lb)
Shipping Units	1
Shipping Weight	1.65 kg (3.64 lb)
Shipping Box	255x255x150 mm (10.04x10.04x5.91 in)

SPECIFICATIONS HF UNIT

Sensitivity ⁵	101.0 dB
Nominal Power Handling ⁶	25 W
Continuous Power Handling ⁷	50 W
Voice Coil Diameter	36 mm (1.4 in)
Winding Material	Aluminum
Flux Density	1.54 T
Diaphragm Material	HT Polymer
Recommended Crossover ⁸	2.0 kHz
Inductance	0.14 mH

SERVICE KIT

Service Kit LF	RCK005CXN448
Replacement diaphragm	MMDDE1108

1. Included by -6 dB down points.
2. Applied RMS Voltage is set to 2.83V.
3. 2 hours test made with continuous pink noise signal within the range Fs-10Fs. Power calculated on rated nominal impedance. Loudspeaker in free air.
4. Power on Continuous Program is defined as 3 dB greater than the Nominal rating.
5. Applied RMS Voltage is set to 2.83V.
6. 2 hour test made with continuous pink noise signal within the range from the recommended crossover frequency to 20 kHz. Power calculated on rated nominal impedance. Loudspeaker in free air.
7. Power on Continuous Program is defined as 3 dB greater than the Nominal rating.
8. 12 dB/oct. or higher slope high-pass filter.

B&C Speakers s.p.a.

Via Poggioromo, 1 - Loc. Vallina, 50012 Bagno a Ripoli (FI) - ITALY - Tel. +39 055 65721 - Fax +39 055 6572312 - mail@bcspeakers.com