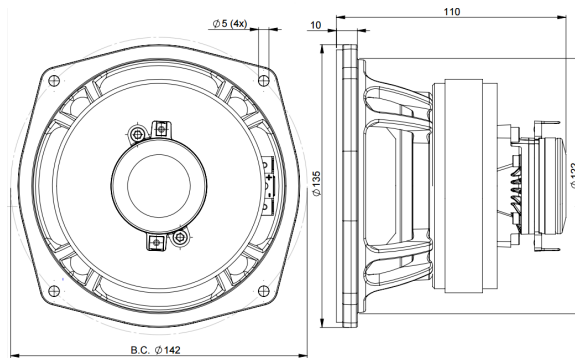


5FCX44

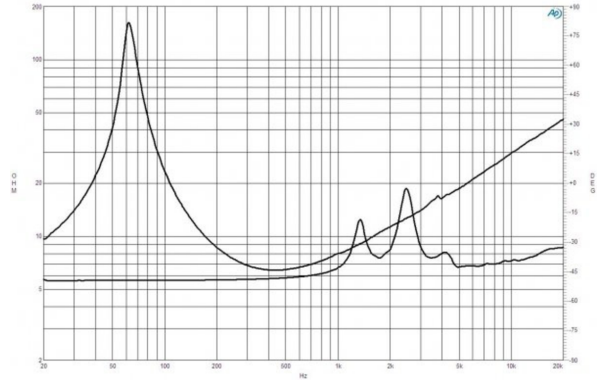
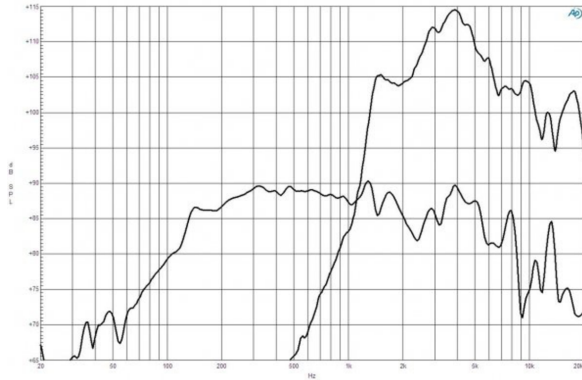
8Ω**Coaxials - 5.0 Inches**

- 200 W continuous program power capacity
- 70° nominal coverage
- 60 - 18000 Hz response
- 91 dB sensitivity
- 19 mm (3/4") HF unit exit diameter



5FCX44

Coaxials- 5.0 Inches



SPECIFICATIONS

Nominal Diameter	127 mm (5.0 in)
Nominal Impedance	8 Ω
Minimum Impedance LF	6.5 Ω
Minimum Impedance HF	6.5 Ω
Frequency Range	60 - 18000 Hz
Dispersion Angle ¹	70 °
Woofer Cone Treatment	WP Waterproof Front Side
Magnet Material	Ferrite (LF) - Neodym. Ring (HF)

SPECIFICATIONS LF UNIT

Sensitivity ²	91.0 dB
Nominal Power Handling ³	100 W
Continuous Power Handling ⁴	200 W
Voice Coil Diameter	44 mm (1.7 in)
Winding Material	Copper
Flux Density	1.07 T
Former Material	Kapton
Winding Depth	9.0 mm (0.35 in)
Magnetic Gap Depth	6.0 mm (0.24 in)

SPECIFICATIONS HF UNIT

Sensitivity ⁵	107.5 dB
Nominal Power Handling ⁶	10 W
Continuous Power Handling ⁷	20 W
Voice Coil Diameter	25 mm (1.0 in)
Winding Material	Aluminium
Flux Density	1.65 T
Diaphragm Material	Polyester
Recommended Crossover ⁸	2.5 kHz
Inductance	0.1 mH

PARAMETERS

Resonance Frequency	61 Hz
Re	5.6 Ω
Qes	0.25
Qms	7.8
Qts	0.25
Vas	7.0 dm ³ (0.25 ft ³)
Sd	95.0 cm ² (14.7 in ²)
η_o	0.6 %
Xmax	± 3.0 mm
Xvar	± 5.0 mm
Mms	12.0 g
Bl	10.5 Txm
Le	0.8 mH
EBP	244 Hz

MOUNTING AND SHIPPING INFO

Overall Diameter	136 mm (5.35 in)
Bolt Circle Diameter	142 mm (5.6 in)
Baffle Cutout Diameter	122 mm (4.8 in)
Depth	110 mm (4.33 in)
Flange and Gasket Thickness	8 mm (0.31 in)
Net Weight	1.85 kg (4.1 lb)
Shipping Units	1
Shipping Weight	2.3 kg (5.07 lb)
Shipping Box	255x255x150 mm (10.04x10.04x5.91 in)

CROSSOVER

SERVICE KIT

LF recone kit	RCK005FCX448
MF replacement diaphragm	MMDE58

1. Included by -6 dB down points.
2. Applied RMS Voltage is set to 2.83V.
3. 2 hours test made with continuous pink noise signal within the range Fs-10Fs. Power calculated on rated minimum impedance. Loudspeaker in free air.
4. Power on Continuous Program is defined as 3 dB greater than the Nominal rating.
5. Applied RMS Voltage is set to 2.83V.
6. 2 hour test made with continuous pink noise signal within the range from the recommended crossover frequency to 20 kHz. Power calculated on rated minimum impedance. Loudspeaker in free air.
7. Power on Continuous Program is defined as 3 dB greater than the Nominal rating.
8. 12 dB/oct. or higher slope high-pass filter.

B&C Speakers s.p.a.

Via Poggiomoro, 1 - Loc. Vallina, 50012 Bagno a Ripoli (FI) - ITALY - Tel. +39 055 65721 - Fax +39 055 6572312 - mail@bcspeakers.com