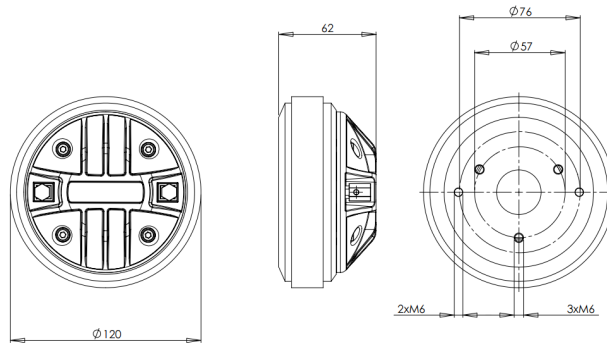


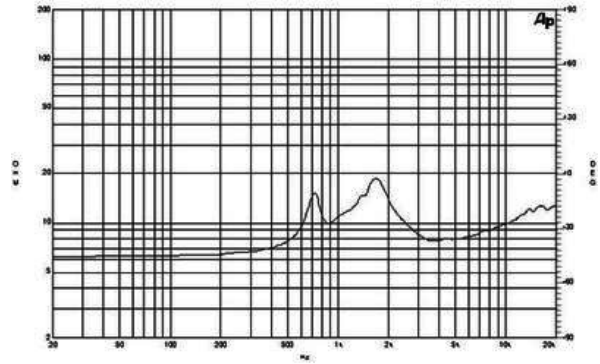
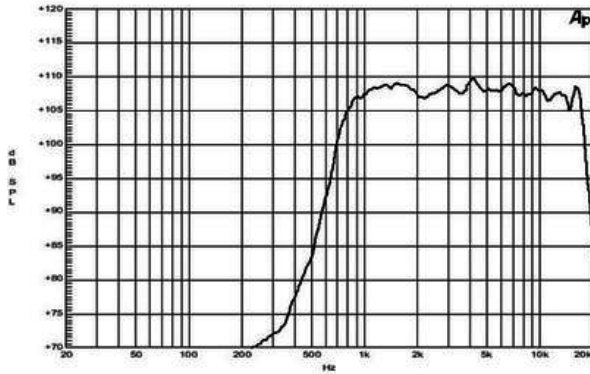
DE250

8Ω**HF Drivers - 1.0 Inches**

- 120 W continuous program power capacity
- 1" horn throat diameter
- 44 mm (1.7 in) aluminium voice coil
- Polyimide diaphragm
- 1000 - 18000 Hz response
- 108.5 dB sensitivity

DE250

HF Drivers- 1.0 Inches



SPECIFICATIONS¹

Throat Diameter	25 mm (1.0 in)
Nominal Impedance	8 Ω
Minimum Impedance	7.8 Ω
Nominal Power Handling ²	60 W
Continuous Power Handling ³	120 W
Sensitivity ⁴	108.5 dB
Frequency Range	1.0 - 18.0 kHz
Recommended Crossover ⁵	1.6 kHz
Voice Coil Diameter	44 mm (1.7 in)
Winding Material	Aluminium
Inductance	0.11 mH
Diaphragm Material	Polyimide
Flux Density	1.85 T
Magnet Material	Ferrite

MOUNTING AND SHIPPING INFO

Two M6 holes 180° on 76 mm (3 in) diameter	
Three M6 holes 120° on 57 mm (2.2 in) diameter	
Overall Diameter	120 mm (4.7 in)
Depth	62 mm (2.4 in)
Net Weight	2.1 kg (4.6 lb)
Shipping Units	4
Shipping Weight	8.85 kg (19.51 lb)
Shipping Box	265x135x170 mm (10.43x5.31x6.69 in)

REPLACEMENT DIAPHRAGM

MMDE2508

1. Driver mounted on B&C ME 45 horn.
2. 2 hour test made with continuous pink noise signal within the range from the recommended crossover frequency to 20 kHz. Power calculated on rated minimum impedance.
3. Power on Continuous Program is defined as 3 dB greater than the Nominal rating.
4. Applied RMS Voltage is set to 2.83 V for 8 ohms Nominal Impedance.
5. 12 dB/oct. or higher slope high-pass filter.