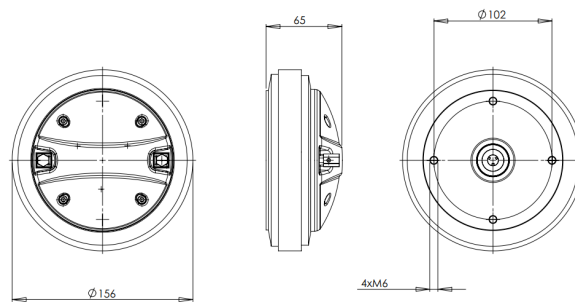


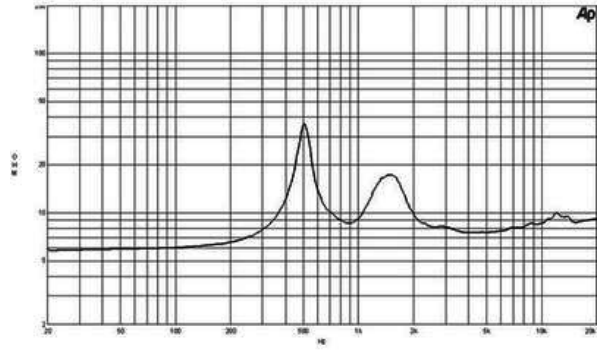
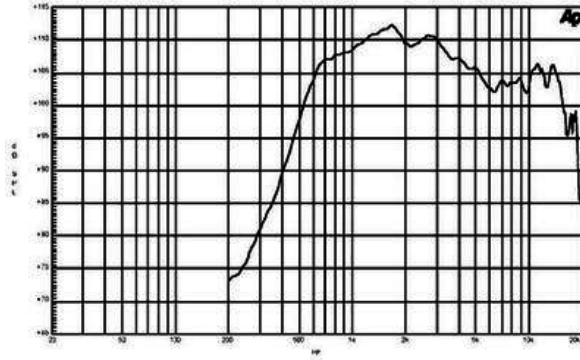
# DE610

**8Ω****HF Drivers - 1.4 Inches**

- 160 W continuous program power capacity
- 1.4' horn throat diameter
- 65 mm (2.5 in) aluminium voice coil
- Titanium diaphragm
- 1000 - 18000 Hz response
- 108 dB sensitivity
- Shorting copper cap for extended HF response

# DE610

HF Drivers- 1.4 Inches



## SPECIFICATIONS<sup>1</sup>

Throat Diameter	36 mm (1.4 in)
Nominal Impedance	8 Ω
Minimum Impedance	7.6 Ω
Nominal Power Handling <sup>2</sup>	80 W
Continuous Power Handling <sup>3</sup>	160 W
Sensitivity <sup>4</sup>	108.0 dB
Frequency Range	1.0 - 18.0 kHz
Recommended Crossover <sup>5</sup>	1.2 kHz
Voice Coil Diameter	65 mm (2.5 in)
Winding Material	Aluminium
Inductance	0.15 mH
Diaphragm Material	Titanium
Flux Density	1.75 T
Magnet Material	Ferrite

## MOUNTING AND SHIPPING INFO

Four M6 holes 90° on 102 mm (4 in) diameter	
Overall Diameter	156 mm (6.1 in)
Depth	65 mm (2.5 in)
Net Weight	3.8 kg (8.4 lb)
Shipping Units	2
Shipping Weight	8.3 kg (18.3 lb)
Shipping Box	210x210x190 mm (8.3x8.3x7.5 in)

## REPLACEMENT DIAPHRAGM

MMD6108

1. Driver mounted on B&C ME 90 horn.
2. 2 hour test made with continuous pink noise signal within the range from the recommended crossover frequency to 20 kHz. Power calculated on rated nominal impedance.
3. Power on Continuous Program is defined as 3 dB greater than the Nominal rating.
4. Applied RMS Voltage is set to 2.83 V for 8 ohms Nominal Impedance.
5. 12 dB/oct. or higher slope high-pass filter.