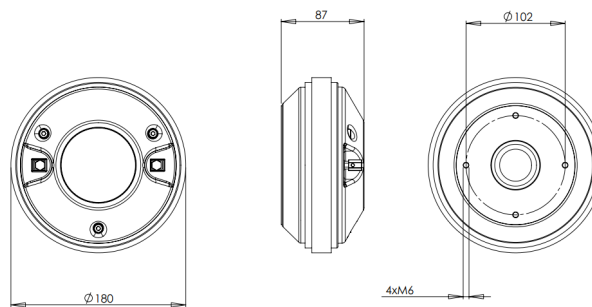


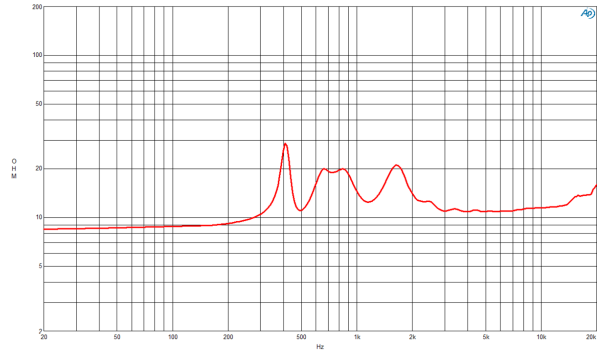
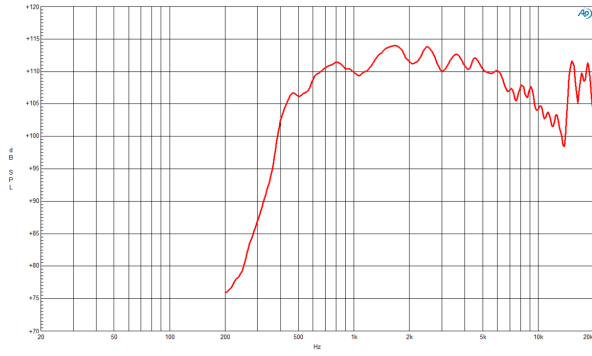
# DE750TN

**16Ω****HF Drivers - 2.0 Inches**

- 220 W continuous program power capacity
- 2" horn throat diameter
- 75 mm (3 in) aluminium voice coil
- Titanium diaphragm
- 500 - 18000 Hz response
- 109 dB sensitivity
- Shorting copper cap for extended HF response

# DE750TN

HF Drivers- 2.0 Inches



## SPECIFICATIONS<sup>1</sup>

Throat Diameter	50 mm (2.0 in)
Nominal Impedance	16 Ω
Minimum Impedance	11.3 Ω
Nominal Power Handling <sup>2</sup>	110 W
Continuous Power Handling <sup>3</sup>	220 W
Sensitivity (1W/1m) <sup>4</sup>	107.5 dB
Frequency Range	0.5 - 18.0 kHz
Recommended Crossover <sup>5</sup>	0.8 kHz
Voice Coil Diameter	75 mm (3.0 in)
Winding Material	Aluminium
Inductance	0.14 mH
Diaphragm Material	Titanium
Flux Density	1.9 T
Magnet Material	Ferrite

## MOUNTING AND SHIPPING INFO

Four M6 holes 90° on 102 mm (4 in) diameter	
Overall Diameter	180 mm (7.1 in)
Depth	87 mm (3.4 in)
Net Weight	6.3 kg (13.9 lb)
Shipping Units	1
Shipping Weight	6.56 kg (14.46 lb)
Shipping Box	190x190x120 mm (7.48x7.48x4.72 in)
Other Details	4x M6 Mounting Studs with bolts and washers included

## SERVICE KIT

Replacement diaphragm	MMD3ATN16
-----------------------	-----------

1. Driver mounted on B&C ME60 horn
2. 2 hour test made with continuous pink noise signal within the range from the recommended crossover frequency to 20 kHz. Power calculated on rated minimum impedance.
3. Power on Continuous Program is defined as 3 dB greater than the Nominal rating.
4. Applied RMS Voltage is set to 4 V for 16 ohms Nominal Impedance.
5. 12 dB/oct. or higher slope high-pass filter.