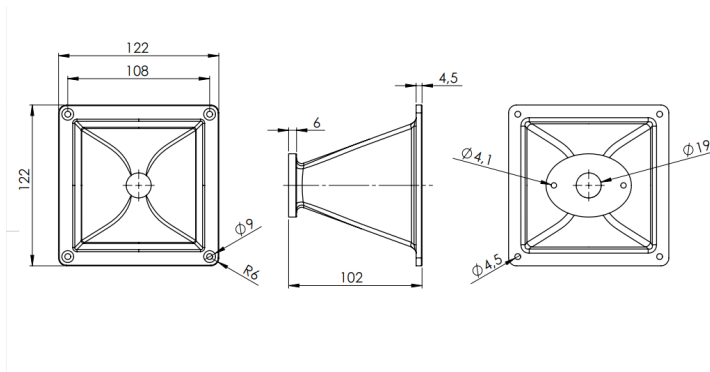


ME7

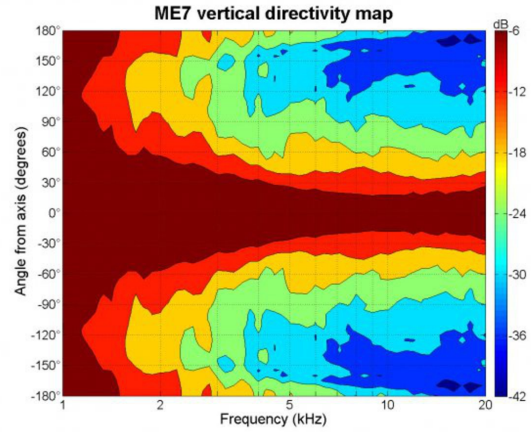
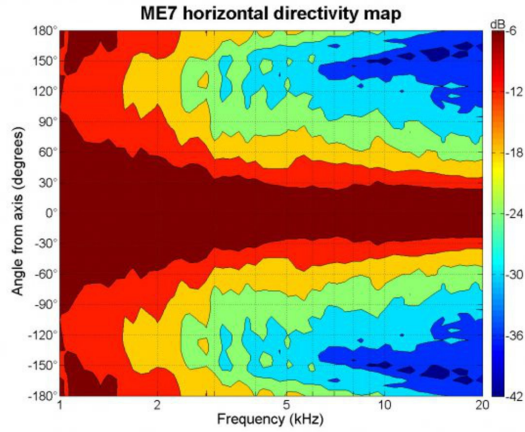
0Ω

Horns - 0.75 Inches

- Exponential flare with great directivity control
- 60° x 40° nominal coverage
- 3/4" throat entry
- Excellent loading down to 2 kHz

ME7

Horns- 0.75 Inches



SPECIFICATIONS¹

Throat Diameter	19 mm (0.75 in)
Nominal Coverage Horizontal	60 °
Nominal Coverage Vertical	40 °
Cutoff Frequency	2.0 kHz
Material	ABS
Dimensions	122x122x102 mm (4.8x4.8x4 in)

MOUNTING AND SHIPPING INFO

Baffle Cutout Dimension	102.7x102.7 mm (4x4 in)
Air Volume Occupied by Horn	0.1 dm ³ (0.0 ft ³)
Net Weight	0.1 kg (0.22 lb)
Shipping Units	20
Shipping Weight	5.0 kg (11.0 lb)
Shipping Box	540x350x390 mm (21.2x13.8x15.3 in)
Other Details	2x 4.1 mm (0.16 in) holes 180° on 53 mm (2.1 in) diameter

1. Horn mounted on B&C DE 7 compression driver.