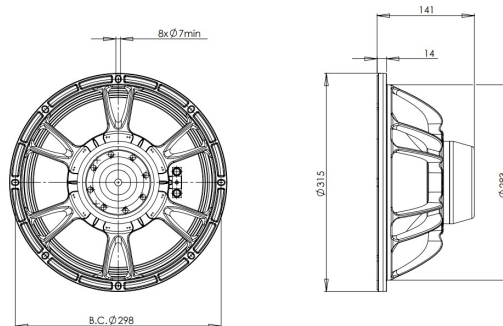


12NDL76

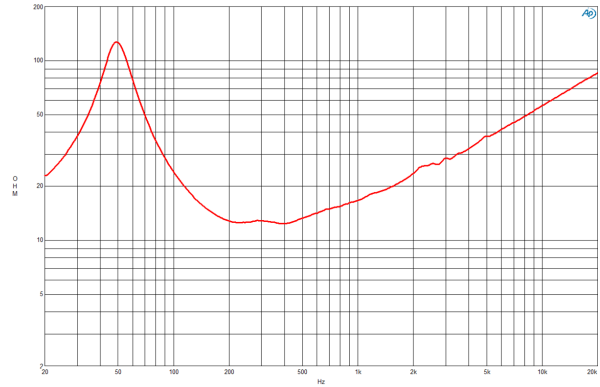
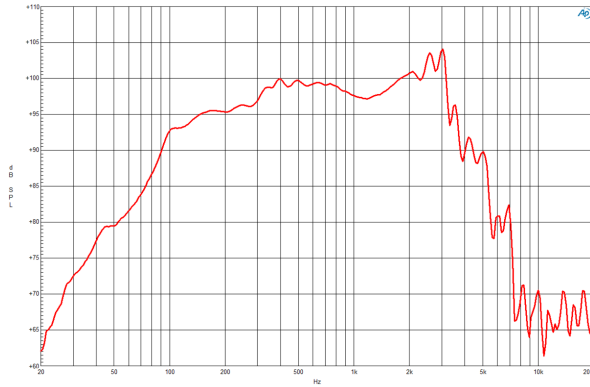
16Ω**LF Drivers - 12.0 Inches**

- 800 W continuous program power capacity
- 76 mm (3 in) aluminium voice coil
- 50 - 2000 Hz response
- 100 dB sensitivity
- Neodymium magnet allows a very light yet powerful motor assembly
- Ventilated voice coil gap for reduced power compression



12NDL76

LF Drivers- 12.0 Inches



SPECIFICATIONS

| | |
|--|-------------------|
| Nominal Diameter | 320 mm (12.0 in) |
| Nominal Impedance | 16 Ω |
| Minimum Impedance | 12.5 Ω |
| Nominal Power Handling ¹ | 400 W |
| Continuous Power Handling ² | 800 W |
| Sensitivity ³ | 100.0 dB |
| Frequency Range | 50 - 2000 Hz |
| Voice Coil Diameter | 76 mm (3.0 in) |
| Winding Material | Aluminium |
| Former Material | Glass Fibre |
| Winding Depth | 19.0 mm (0.75 in) |
| Magnetic Gap Depth | 10.0 mm (0.4 in) |
| Flux Density | 1.25 T |

DESIGN

| | |
|-----------------------|--|
| Surround Shape | Double Roll |
| Cone Shape | Exponential |
| Magnet Material | Neodymium Inside Slug |
| Spider | Single |
| Pole Design | Straight Pole |
| Woofer Cone Treatment | TWP Waterproof Both Sides |
| Recommended Enclosure | 42.0 dm ³ (1.48 ft ³) |
| Recommended Tuning | 65 Hz |

PARAMETERS⁴

| | |
|---------------------|---|
| Resonance Frequency | 50 Hz |
| Re | 10.2 Ω |
| Qes | 0.3 |
| Qms | 3.8 |
| Qts | 0.27 |
| Vas | 69.0 dm ³ (2.44 ft ³) |
| Sd | 522.0 cm ² (80.9 in ²) |
| η _o | 2.8 % |
| Xmax | ± 7.0 mm |
| Xvar | ± 7.0 mm |
| Mms | 56.0 g |
| Bl | 24.7 Txm |
| Le | 1.7 mH |
| EBP | 166 Hz |

MOUNTING AND SHIPPING INFO

| | |
|-------------------------------|---|
| Overall Diameter | 315 mm (12.4 in) |
| Bolt Circle Diameter | 298 mm (11.7 in) |
| Baffle Cutout Diameter | 283.0 mm (11.1 in) |
| Depth | 141 mm (5.5 in) |
| Flange and Gasket Thickness | 14 mm (0.55 in) |
| Air Volume Occupied by Driver | 2.5 dm ³ (0.08 ft ³) |
| Net Weight | 3.9 kg (8.6 lb) |
| Shipping Units | 1 |
| Shipping Weight | 4.5 kg (9.9 lb) |
| Shipping Box | 360x360x200 mm (14.17x14.17x7.87 in) |

SERVICE KIT

| | |
|------------|--------------|
| Recone kit | RCK12NDL7616 |
|------------|--------------|

1. 2 hours test made with continuous pink noise signal within the range Fs-10Fs. Power calculated on rated minimum impedance. Loudspeaker in free air.
2. Power on Continuous Program is defined as 3 dB greater than the Nominal rating.
3. Applied RMS Voltage is set to 4V for 16 ohms Nominal Impedance.
4. Thiele-Small parameters are measured after a high level 20 Hz sine wave preconditioning test.

B&C Speakers s.p.a.

Via Poggiomoro, 1 - Loc. Vallina, 50012 Bagno a Ripoli (FI) - ITALY - Tel. +39 055 65721 - Fax +39 055 6572312 - mail@bcspeakers.com