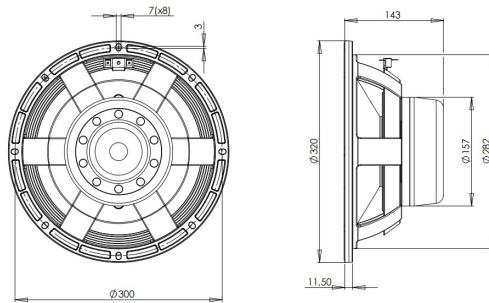


12NBX100

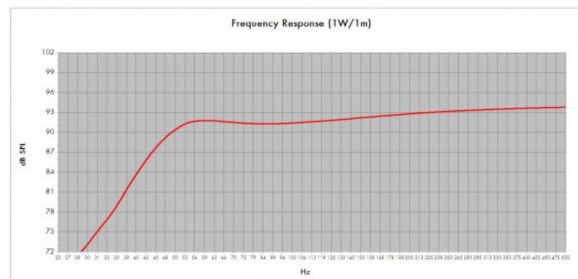
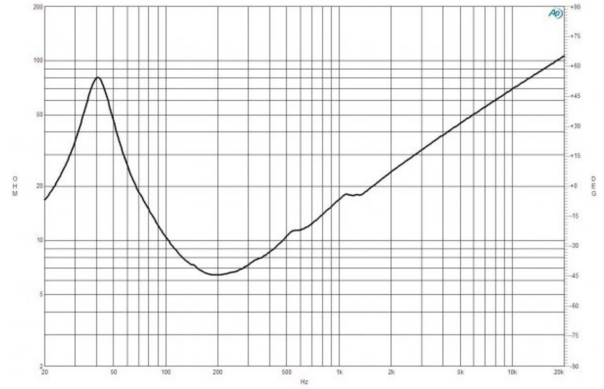
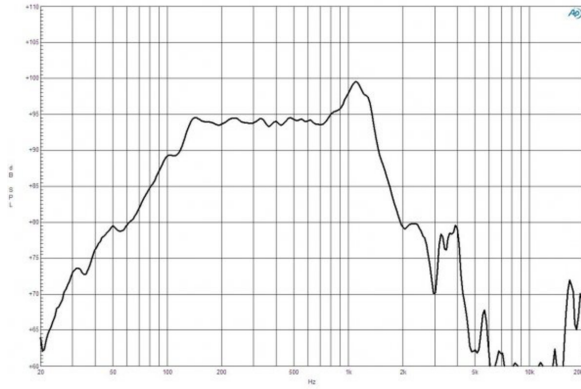
8Ω**LF Drivers - 12.0 Inches**

- 2000 W continuous program power capacity
- 100 mm (4 in) copper voice coil
- 40 - 1500 Hz response
- 96 dB sensitivity
- Aluminium demodulating ring allows a very low distortion figure
- Double silicone spider with optimized compliance
- Ventilated voice coil gap for reduced power compression



12NBX100

LF Drivers- 12.0 Inches



Model: 12NBX100
 Enclosure Type: Bass Reflex Configuration: One Driver
 Internal Net Volume (liters): 40 Q_B: 5
 Tuning Frequency (Hz): 50 Port Area (cm²): 138.7
 Frequency (±4dB) (Hz): 32.2 Port Length (cm): 30.2
 Excursion Limited Maximum SPL at 1 meter (dB): 120.4 equal to 543.8 Watts (Bass Band Power Rating)
 Thermal Limited Maximum SPL at 1 meter (dB): 124.0 equal to 1000.0 Watts (Mid Band Power Rating)

SPECIFICATIONS

Nominal Diameter	320 mm (12.0 in)
Nominal Impedance	8 Ω
Minimum Impedance	6.5 Ω
Nominal Power Handling ¹	1000 W
Continuous power handling ²	2000 W
Sensitivity (1W/1m) ³	96.0 dB
Frequency Range	40 - 1500 Hz
Voice Coil Diameter	100 mm (4.0 in)
Winding Material	Copper
Former Material	Glass Fibre
Winding Depth	25.0 mm (1.0 in)
Magnetic Gap Depth	11.0 mm (0.43 in)
Flux Density	1.1 T

DESIGN

Surround Shape	Triple Roll
Cone Shape	Exponential
Magnet Material	Neodymium Inside Slug
Spider	Double Silicone
Pole Design	T-Pole
Woofer Cone Treatment	TWP Waterproof Both Sides
Recommended Enclosure	40.0 dm ³ (1.41 ft ³)
Recommended Tuning	50 Hz

PARAMETERS⁴

Resonance Frequency	41 Hz
R _e	5.1 Ω
Q _{es}	0.24
Q _{ms}	3.9
Q _{ts}	0.22
V _{as}	51.0 dm ³ (1.8 ft ³)
S _d	531.0 cm ² (82.0 in ²)
η _o	1.45 %
X _{max}	± 10.0 mm
X _{var}	± 10.0 mm
M _{ms}	117.0 g
Bl	25.6 T·m
L _e	1.9 mH
EBP	170 Hz

MOUNTING AND SHIPPING INFO

Overall Diameter	320 mm (12.6 in)
Bolt Circle Diameter	300 mm (11.8 in)
Baffle Cutout Diameter	280.0 mm (11.0 in)
Depth	143 mm (5.63 in)
Flange and Gasket Thickness	12 mm (0.47 in)
Air Volume Occupied by Driver	4.0 dm ³ (0.14 ft ³)
Net Weight	8.25 kg (18.19 lb)
Shipping Units	1
Shipping Weight	9.15 kg (20.17 lb)
Shipping Box	360x360x200 mm (14.17x14.17x7.87 in)

SERVICE KIT

Recone kit	RCK12NBX1008
------------	--------------

1. 2 hours test made with continuous pink noise signal within the range Fs-10Fs. Power calculated on rated minimum impedance. Loudspeaker in free air.
2. Power on Continuous Program is defined as 3 dB greater than the Nominal rating.
3. Applied RMS Voltage is set to 2.83 V for 8 ohms Nominal Impedance.
4. Thiele-Small parameters are measured after a high level 20 Hz sine wave preconditioning test.