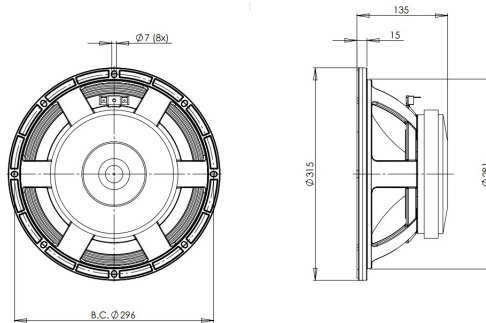


# 12PE32

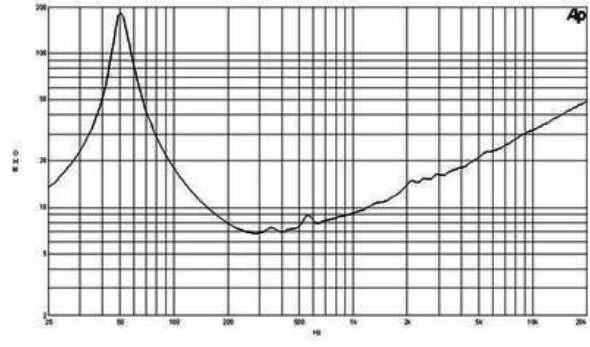
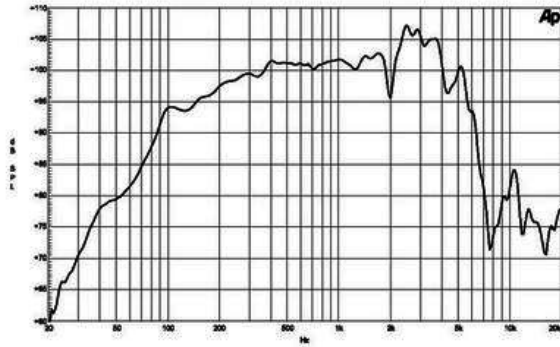
**8Ω****LF Drivers - 12.0 Inches**

- 500 W continuous program power capacity
- 64 mm (2.5 in) aluminium voice coil
- 50 - 4000 Hz response
- 101 dB sensitivity



# 12PE32

## LF Drivers- 12.0 Inches



### SPECIFICATIONS

|  |                  |
|--|------------------|
| Nominal Diameter                       | 320 mm (12.0 in) |
| Nominal Impedance                      | 8 Ω              |
| Minimum Impedance                      | 6.7 Ω            |
| Nominal Power Handling <sup>1</sup>    | 250 W            |
| Continuous Power Handling <sup>2</sup> | 500 W            |
| Sensitivity <sup>3</sup>               | 101.0 dB         |
| Frequency Range                        | 50 - 4000 Hz     |
| Voice Coil Diameter                    | 65 mm (2.5 in)   |
| Winding Material                       | Aluminium        |
| Former Material                        | Glass Fibre      |
| Winding Depth                          | 12.0 mm (0.5 in) |
| Magnetic Gap Depth                     | 7.0 mm (0.28 in) |
| Flux Density                           | 1.4 T            |

### DESIGN

|                       |   |
|-----------------------|---|
| Surround Shape        | Triple Roll                                 |
| Cone Shape            | Exponential                                 |
| Magnet Material       | Ferrite                                     |
| Spider                | Single                                      |
| Pole Design           | Straight Pole                               |
| Woofer Cone Treatment | None  |
| Recommended Enclosure | 31.0 dm <sup>3</sup> (1.1 ft <sup>3</sup> ) |
| Recommended Tuning    | 85 Hz                                       |

### PARAMETERS<sup>4</sup>

|                     |   |
|---------------------|---|
| Resonance Frequency | 51 Hz   |
| Re                  | 5.8 Ω   |
| Qes                 | 0.19  |
| Qms                 | 7.6   |
| Qts                 | 0.18  |
| Vas                 | 101.0 dm <sup>3</sup> (3.56 ft <sup>3</sup> ) |
| Sd                  | 522.0 cm <sup>2</sup> (80.9 in <sup>2</sup> ) |
| η <sub>o</sub>      | 6.8 %   |
| X <sub>max</sub>    | 2.8 mm  |
| X <sub>var</sub>    | 5.0 mm  |
| M <sub>ms</sub>     | 37.0 g  |
| Bl                  | 19.1 Txm                                      |
| Le                  | 1.2 mH  |
| EBP                 | 268 Hz  |

### MOUNTING AND SHIPPING INFO

|                               |   |
|-------------------------------|---|
| Overall Diameter              | 315 mm (12.4 in)                            |
| Bolt Circle Diameter          | 296 mm (11.6 in)                            |
| Baffle Cutout Diameter        | 282.0 mm (11.1 in)                          |
| Depth                         | 135 mm (5.3 in)                             |
| Flange and Gasket Thickness   | 15 mm (0.59 in)                             |
| Air Volume Occupied by Driver | 3.1 dm <sup>3</sup> (0.11 ft <sup>3</sup> ) |
| Net Weight                    | 7.6 kg (16.7 lb)                            |
| Shipping Units                | 1   |
| Shipping Weight               | 8.5 kg (18.74 lb)                           |
| Shipping Box                  | 360x360x200 mm (14.17x14.17x7.87 in)        |

### SERVICE KIT

RCK012PE328

1. 2 hours test made with continuous pink noise signal within the range Fs-10Fs. Power calculated on rated nominal impedance. Loudspeaker in free air.
2. Power on Continuous Program is defined as 3 dB greater than the Nominal rating.
3. Applied RMS Voltage is set to 2.83 V for 8 ohms Nominal Impedance.
4. Thiele-Small parameters are measured after a high level 20 Hz sine wave preconditioning test.