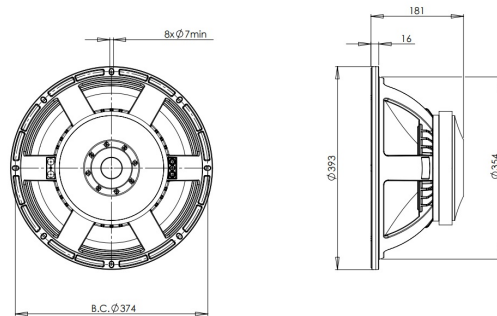


# 15TBX100

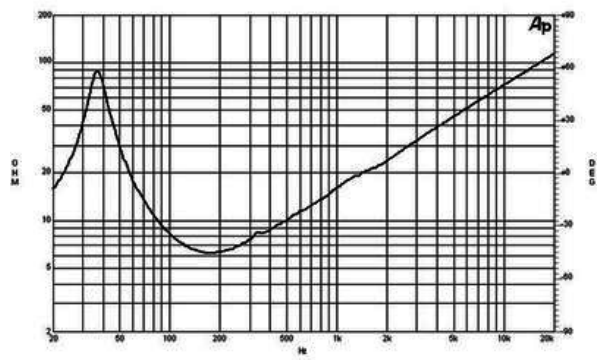
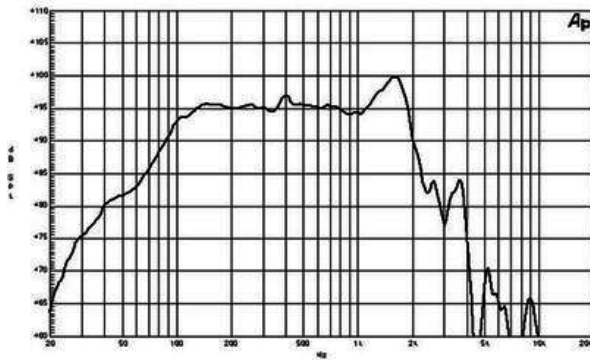
**8Ω****LF Drivers - 15.0 Inches**

- 2000 W continuous program power capacity
- 100 mm (4 in) copper voice coil
- 35 - 1500 Hz response
- 96 dB sensitivity
- Aluminium demodulating ring allows a very low distortion figure
- Double silicone spider with optimized compliance
- Ventilated voice coil gap for reduced power compression



# 15TBX100

LF Drivers- 15.0 Inches



## SPECIFICATIONS

|  |                  |
|--|------------------|
| Nominal Diameter                       | 380 mm (15.0 in) |
| Nominal Impedance                      | 8 $\Omega$       |
| Minimum Impedance                      | 6.2 $\Omega$     |
| Nominal Power Handling <sup>1</sup>    | 1000 W           |
| Continuous Power Handling <sup>2</sup> | 2000 W           |
| Sensitivity <sup>3</sup>               | 96.0 dB          |
| Frequency Range                        | 35 - 1500 Hz     |
| Voice Coil Diameter                    | 100 mm (4.0 in)  |
| Winding Material                       | Copper           |
| Former Material                        | Glass Fibre      |
| Winding Depth                          | 25.0 mm (1.0 in) |
| Magnetic Gap Depth                     | 12.0 mm (0.5 in) |
| Flux Density                           | 1.1 T            |

## DESIGN

|                       |   |
|-----------------------|---|
| Surround Shape        | Triple Roll                                   |
| Cone Shape            | Radial  |
| Magnet Material       | Ferrite                                       |
| Spider                | Double Silicone                               |
| Pole Design           | T-Pole  |
| Woofer Cone Treatment | TWP Waterproof Both Sides                     |
| Recommended Enclosure | 114.0 dm <sup>3</sup> (4.03 ft <sup>3</sup> ) |
| Recommended Tuning    | 35 Hz   |

## PARAMETERS<sup>4</sup>

|                     |  |
|---------------------|--|
| Resonance Frequency | 35 Hz  |
| Re                  | 5.1 $\Omega$                                   |
| Qes                 | 0.3  |
| Qms                 | 5.2  |
| Qts                 | 0.28   |
| Vas                 | 113.0 dm <sup>3</sup> (3.8 ft <sup>3</sup> )   |
| Sd                  | 855.0 cm <sup>2</sup> (132.5 in <sup>2</sup> ) |
| $\eta_0$            | 1.95 %   |
| Xmax                | 9.0 mm   |
| Xvar                | 11.0 mm  |
| Mms                 | 163.0 g  |
| Bl                  | 25.5 Txm                                       |
| Le                  | 1.6 mH   |
| EBP                 | 116 Hz   |

## MOUNTING AND SHIPPING INFO

|                               |   |
|-------------------------------|---|
| Overall Diameter              | 393 mm (15.5 in)                            |
| Bolt Circle Diameter          | 374 mm (14.7 in)                            |
| Baffle Cutout Diameter        | 354.0 mm (13.9 in)                          |
| Depth                         | 181 mm (7.1 in)                             |
| Flange and Gasket Thickness   | 16 mm (0.62 in)                             |
| Air Volume Occupied by Driver | 5.4 dm <sup>3</sup> (0.19 ft <sup>3</sup> ) |
| Net Weight                    | 12.3 kg (27.1 lb)                           |
| Shipping Units                | 1   |
| Shipping Weight               | 13.6 kg (29.98 lb)                          |
| Shipping Box                  | 425x425x224 mm (16.73x16.73x8.82 in)        |

## SERVICE KIT

RCK15TBX1008

- 2 hours test made with continuous pink noise signal within the range Fs-10Fs. Power calculated on rated nominal impedance. Loudspeaker in free air.
- Power on Continuous Program is defined as 3 dB greater than the Nominal rating.
- Applied RMS Voltage is set to 2.83 V for 8 ohms Nominal Impedance.
- Thiele-Small parameters are measured after a high level 20 Hz sine wave preconditioning test.

**B&C Speakers s.p.a.**

Via Poggiomoro, 1 - Loc. Vallina, 50012 Bagno a Ripoli (FI) - ITALY - Tel. +39 055 65721 - Fax +39 055 6572312 - mail@bcspeakers.com