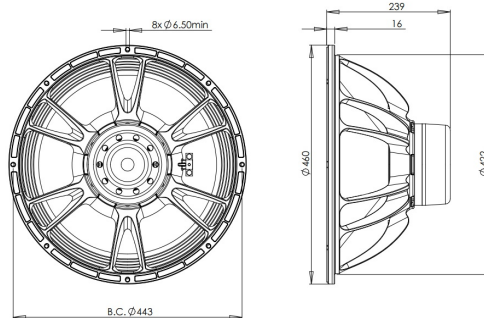


18SW100

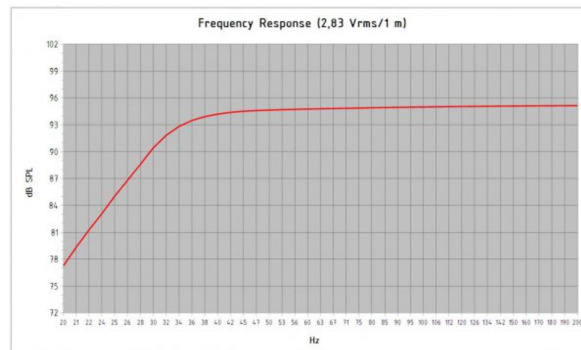
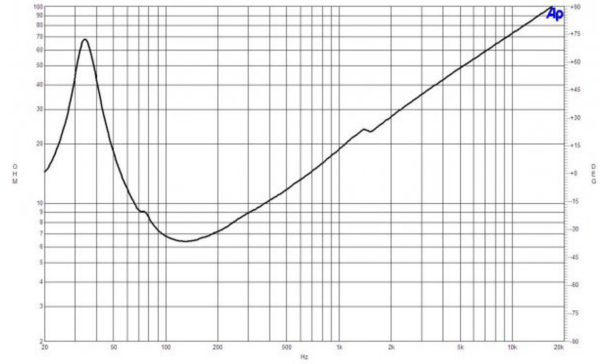
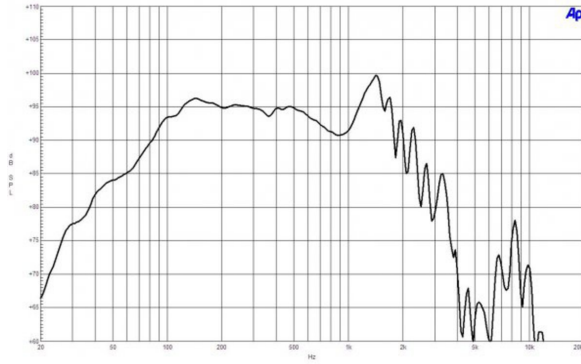
8Ω**LF Drivers - 18.0 Inches**

- 3000 W continuous program power capacity
- 100 mm (4 in) split winding copper voice coil
- 35 - 1000 Hz response
- 97 dB sensitivity
- Double silicone spider with optimized compliance
- Ventilated voice coil gap for reduced power compression
- Aluminium demodulating ring for very low distortion



18SW100

LF Drivers- 18.0 Inches



Model: **18 SW 100**
 Enclosure Type: **Base Reflex**
 Internal Net Volume (liters): **200**
 Tuning Frequency (Hz): **33**
 Frequency (-3 dB) (Hz): **32.7**
 Port Area (cm²): **339.6**
 Port Length (cm): **28.7**
 Excursion Limited Maximum SPL at 1 meter (dB): **123.6** equal to **844.5** Watts (Bass Band Power Rating)
 Thermal Limited Maximum SPL at 1 meter (dB): **126.1** equal to **1500.0** Watts (Mid Band Power Rating)

SPECIFICATIONS

| | |
|----------------------------------------|-------------------|
| Nominal Diameter | 460 mm (18.0 in) |
| Nominal Impedance | 8 Ω |
| Minimum Impedance | 6.5 Ω |
| Nominal Power Handling ¹ | 1500 W |
| Continuous Power Handling ² | 3000 W |
| Sensitivity ³ | 97.0 dB |
| Frequency Range | 35 - 1000 Hz |
| Voice Coil Diameter | 100 mm (4.0 in) |
| Winding Material | Copper |
| Former Material | Glass Fibre |
| Winding Depth | 32.0 mm (1.26 in) |
| Magnetic Gap Depth | 14.0 mm (0.55 in) |
| Flux Density | 1.15 T |

DESIGN

| | |
|-----------------------|-----------------------------------------------|
| Surround Shape | Triple Roll |
| Cone Shape | Radial |
| Magnet Material | Neodymium Inside Slug |
| Spider | Double Silicone |
| Pole Design | T-Pole |
| Woofer Cone Treatment | TWP Waterproof Both Sides |
| Recommended Enclosure | 200.0 dm ³ (7.06 ft ³) |
| Recommended Tuning | 33 Hz |

PARAMETERS⁴

| | |
|---------------------|-------------------------------------------------|
| Resonance Frequency | 35 Hz |
| Re | 5.3 Ω |
| Qes | 0.4 |
| Qms | 5.9 |
| Qts | 0.38 |
| Vas | 180.0 dm ³ (6.3 ft ³) |
| Sd | 1210.0 cm ² (187.6 in ²) |
| η _o | 1.9 % |
| X _{max} | ± 12.5 mm |
| X _{var} | ± 16.0 mm |
| M _{ms} | 234.0 g |
| Bl | 26.1 Txm |
| Le | 2.2 mH |
| EBP | 87 Hz |

MOUNTING AND SHIPPING INFO

| | |
|-----------------------------|----------------------------------------------|
| Overall Diameter | 460 mm (18.0 in) |
| Bolt Circle Diameter | 443 mm (17.44 in) |
| Baffle Cutout Diameter | 422.0 mm (16.6 in) |
| Depth | 239 mm (9.41 in) |
| Flange and Gasket Thickness | 16 mm (0.63 in) |
| Air Volume Occupied by Horn | 10.0 dm ³ (0.35 ft ³) |
| Net Weight | 10.4 kg (22.93 lb) |
| Shipping Units | 1 |
| Shipping Weight | 12.2 kg (26.9 lb) |
| Shipping Box | 500x500x300 mm (19.69x19.69x11.81 in) |

SERVICE KIT

| | |
|------------|-------------|
| Recone kit | RCK18SW1008 |
|------------|-------------|

1. 2 hours test made with continuous pink noise signal within the range Fs-10Fs. Power calculated on rated minimum impedance. Loudspeaker in free air.
2. Power on Continuous Program is defined as 3 dB greater than the Nominal rating.
3. Applied RMS Voltage is set to 2.83 V for 8 ohms Nominal Impedance.
4. Thiele-Small parameters are measured after a high level 20 Hz sine wave preconditioning test.