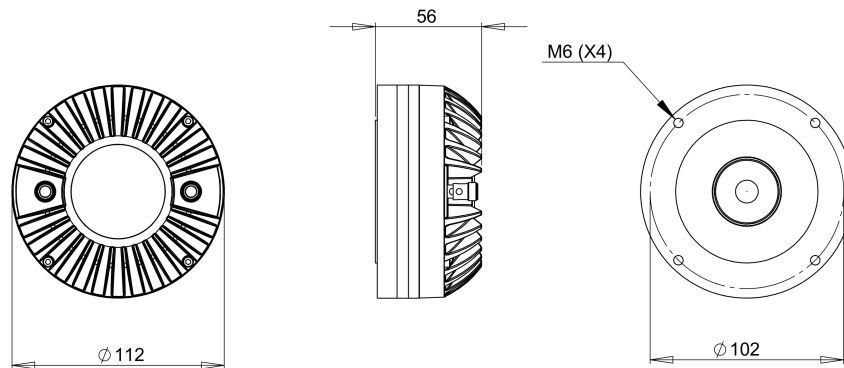


DE780TN

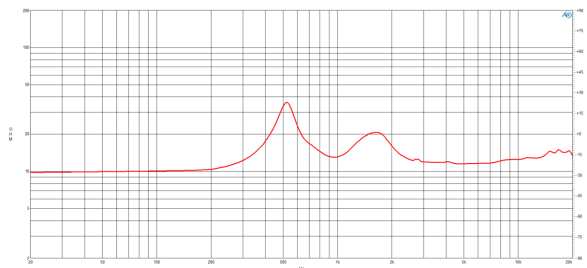
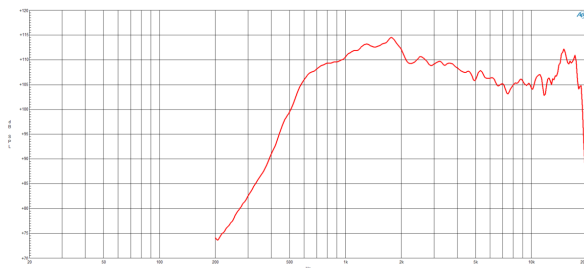
16Ω**Drivers HF - 1.4 Inches**

- 220 W continuous program power capacity
- 1.4" horn throat diameter
- 75 mm (3 in) aluminum voice coil
- Titanium diaphragm
- 500 - 18000 Hz response
- 109 dB sensitivity
- Neodymium magnet assembly with shorting copper cap

While shrink-ray technology may not have escaped the 1990s, we have succeeded in creating two more highly compact drivers, not only permitting close spacing but also reducing weight and cost at the same time. In a larger, 3" coil we now offer the DE780: Designed with a sonic character like our famous DE900TN, but in a 112mm diameter package weighing only 3.5 lb (1.6kg). Continuous power handling of 220W combined with 108dB sensitivity primes this driver for consideration in a new generation of lighter, more compact line array loudspeakers.

DE780TN

Drivers HF- 1.4 Inches



ESPECIFICACIÓN

Diámetro de la garganta	36 mm (1.4 in)
Impedancia nominal	16 Ω
Impedancia mínima	11.5 Ω
Manejo de potencia nominal	110 W
Manejo de potencia continua	220 W
Sensibilidad	109.0 dB
Rango de frecuencia	0.5 - 18.0 kHz
Cruce recomendado	1.2 kHz
Diámetro de la bobina	75 mm (3.0 in)
Material de la bobina	Aluminium
Inductancia	0.22 mH
Material del diafragma	Titanium
Densidad de flujo	1.95 T
Material del imán	Neodymium Ring

INFORMACIÓN DE MONTAJE Y ENVÍO

Four M6 holes 90° on 102 mm (4 in) diameter	
Diámetro total	112 mm (4.41 in)
Profundidad	56 mm (2.2 in)
Peso neto	1.6 kg (3.53 lb)
Unidades del envío	1
Peso del envío	1.64 kg (3.6 lb)
Caja de envío	120x120x65 mm (4.72x4.72x2.56 in)
Otros detalles	4x M6 Mounting Studs with bolts and washers included

KIT DE SERVICIO

Replacement diaphragm	MMD3FTN16M
-----------------------	------------