



F101AN

Full Range Enclosure

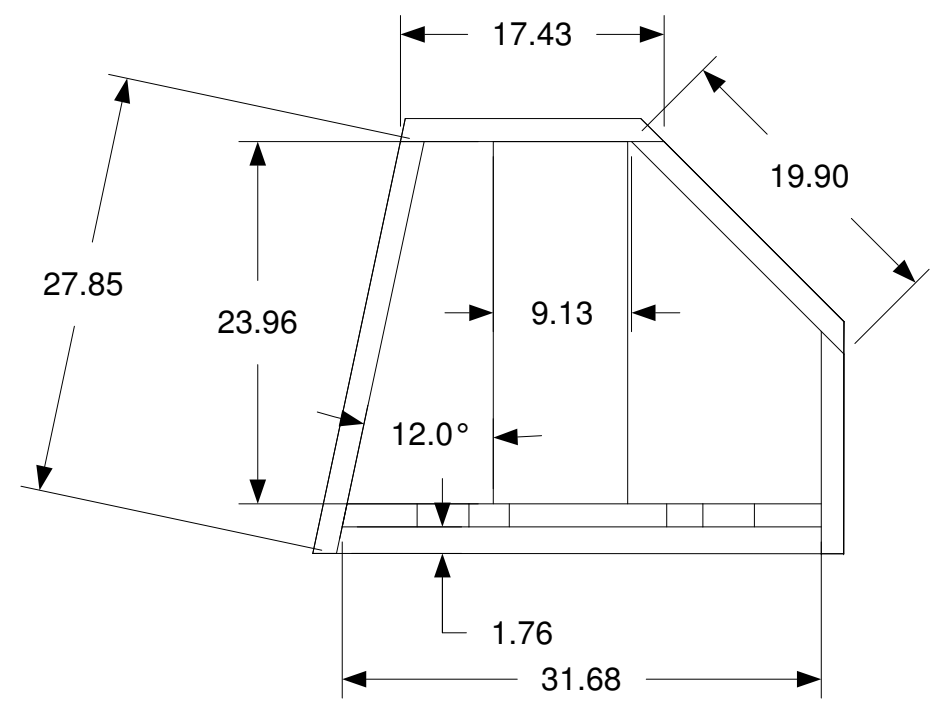
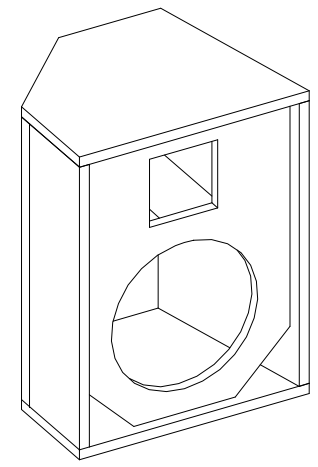
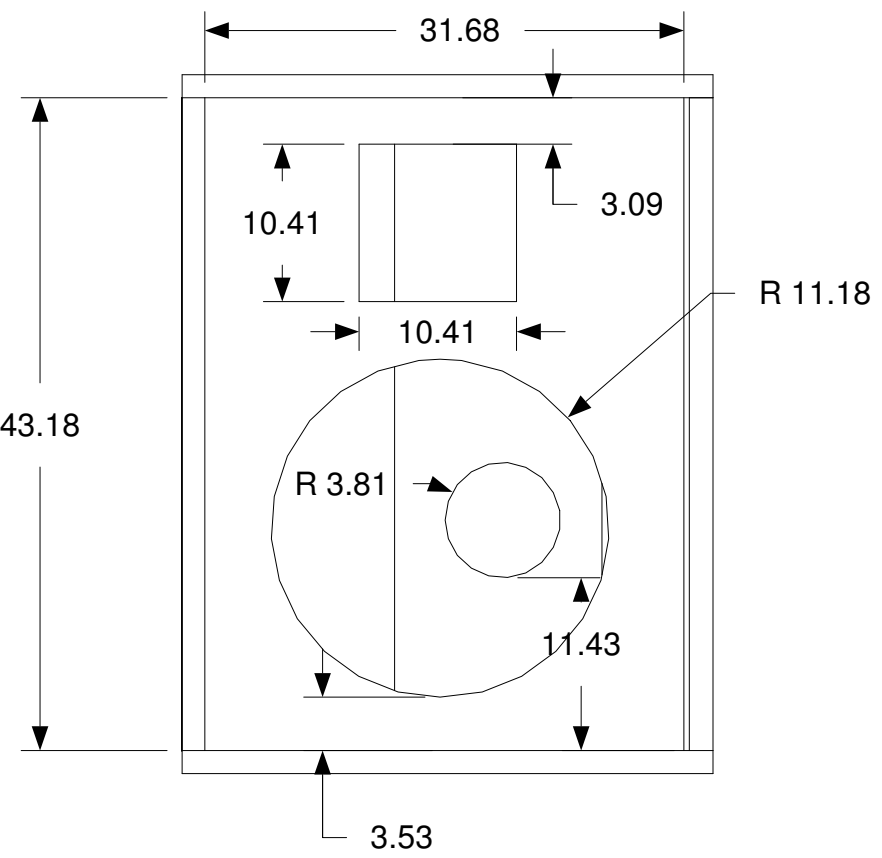
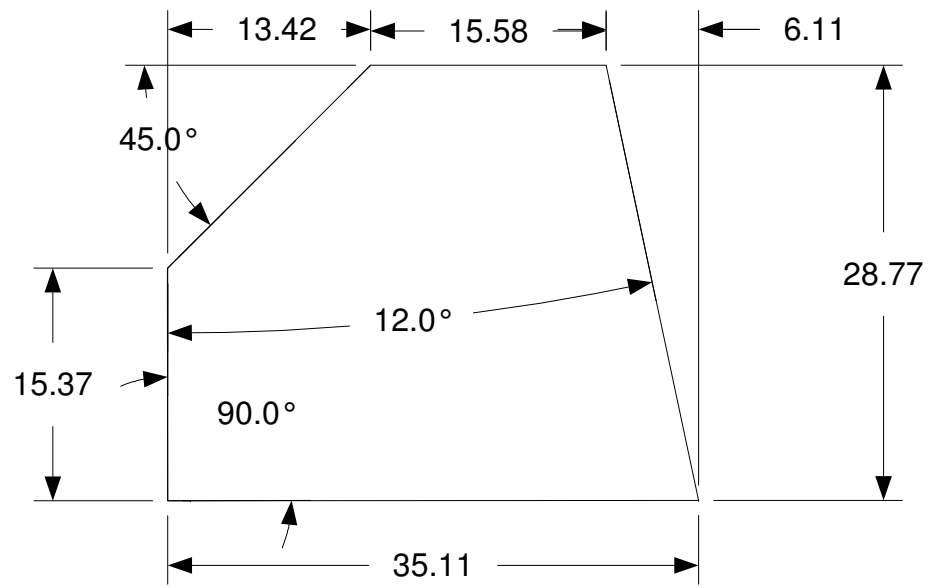
B&C Component Options

10" Neodymium Woofer – 10HPL64 8 ohm

1" High Frequency Driver – DE10 8 ohm

90°x60° 1" Horn – ME10

www.bcspeakers.com



F101A general dims
Material 15mm Birch Plywood

F101 JULY 11 hd64 woofer DONE SPL.tds

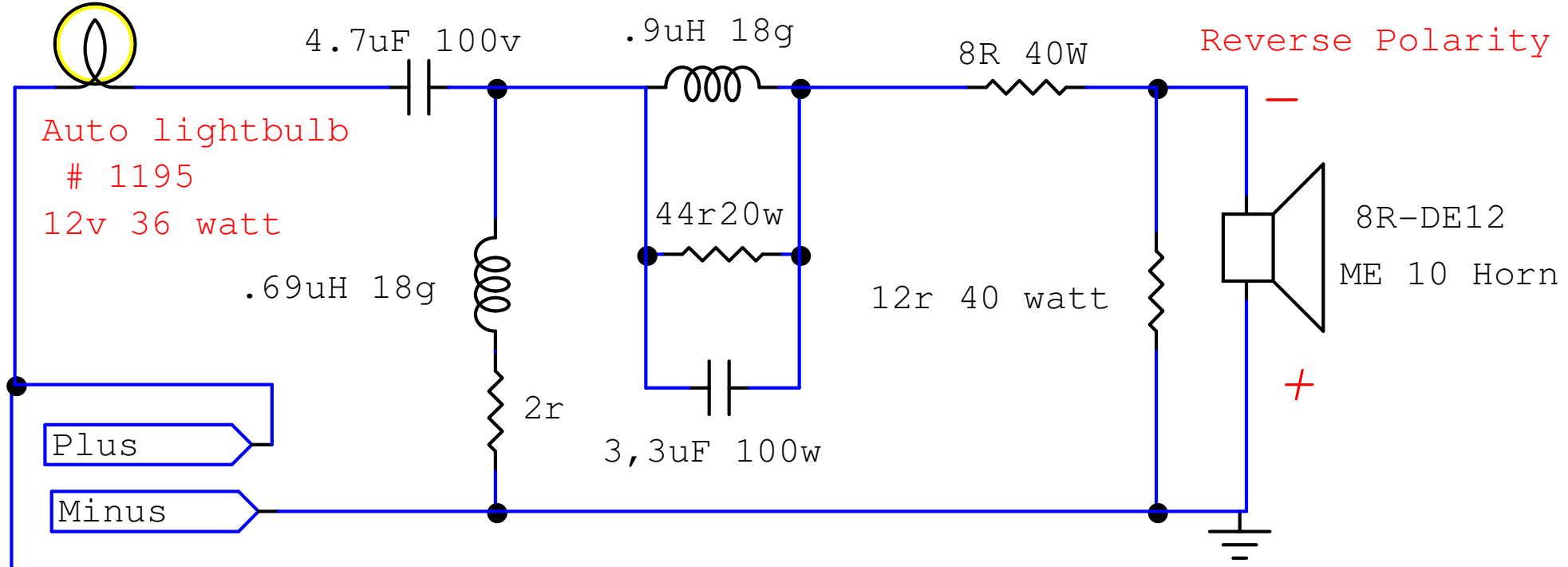
8192 Samples in 54.6 s, Frequency Res = 19.1 Hz, Time Res = 52.28 ms (59.08 feet)



F101 JULY 11 HD64 WOOFER DONE

8192 Samples, Frequency Res = 24.8 Hz





F101n neo june 11-2010

